

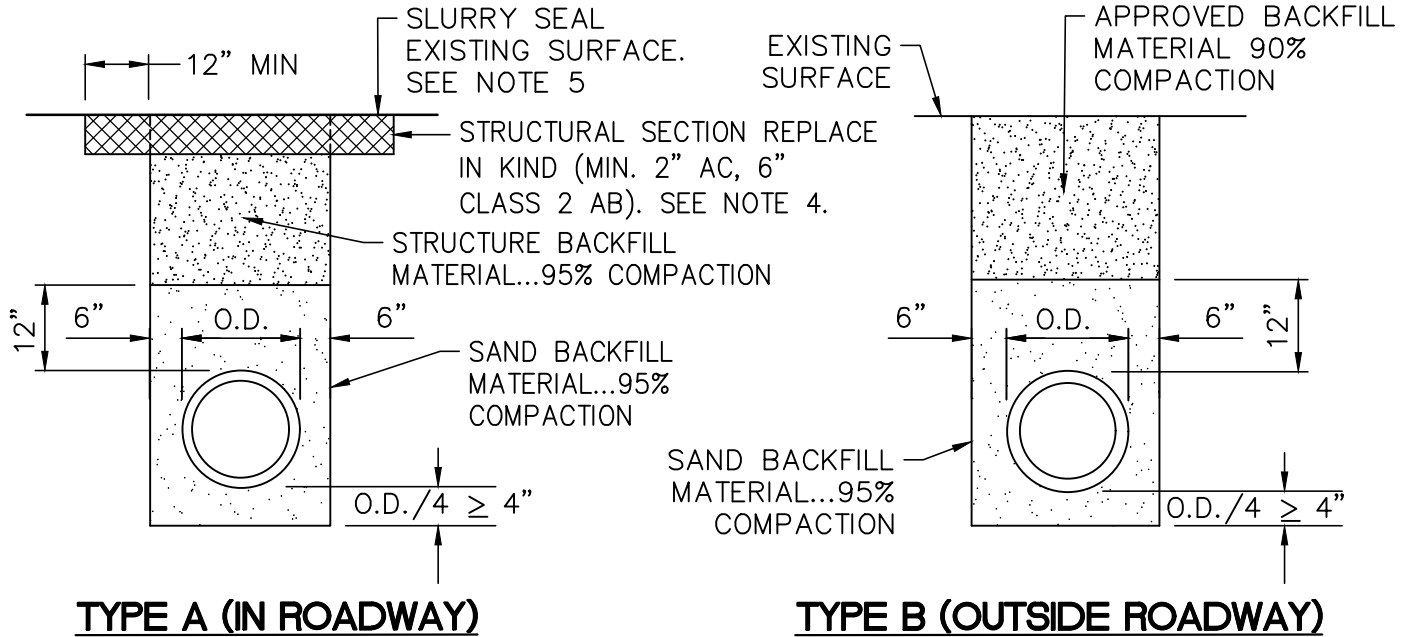
**COUNTY OF SAN MATEO DEPARTMENT
OF**

PUBLIC WORKS

.....
REDWOOD CITY
CALIFORNIA

DRAWN BY: A.Z.
CHECKED BY: K.L.
APPROVED BY: A.M.S.

SCALE: NONE
DATE: 2-2022
REVISED: 2-2022



TYPE A (IN ROADWAY)

TYPE B (OUTSIDE ROADWAY)

NOTES:

- SAND...MATERIAL FREE FROM ORGANIC MATTER AND CLAY WITH A SIEVE GRADATION BY WEIGHT AS FOLLOWS:

<u>SIEVE SIZE</u>	<u>% PASSING SIEVE</u>
No. 4	100
No. 200	0-5
- STRUCTURE BACKFILL MATERIAL...MATERIAL WITH SAND EQUIVALENT NOT LESS THAN 20 AND SIEVE GRADATION BY WEIGHT AS FOLLOWS:

<u>SIEVE SIZE</u>	<u>% PASSING SIEVE</u>
3"	100
No. 4	35-100
No. 200	20-100
- BACKFILL MATERIAL.... MATERIAL FROM EXCAVATION, FREE FROM STONES OR LUMPS EXCEEDING 3 INCHES GREATEST DIMENSION, ORGANIC MATTER, OR OTHER UNSATISFACTORY MATERIAL.
- ON TRENCHES THAT PARALLEL THE ROAD AND ARE WITHIN EXISTING BICYCLE LANES, THE WIDTH OF THE STRUCTURAL SECTION SHALL BE GREATER THAN OR EQUAL TO THE WIDTH OF THE EXISTING BICYCLE LANE. PAVING JOINTS WITHIN BICYCLE LANE ARE NOT ALLOWED.
- FULL WIDTH SLURRY SHALL BE APPLIED TO THE FINISH SURFACE FROM EDGE OF PAVEMENT TO EDGE OF PAVEMENT WHEN THERE IS A MAIN OR LATERAL LINE INSTALLATION THAT IS GREATER THAN 100 FEET IN TOTAL LENGTH. SLURRY SEAL SHALL COMPLY WITH CALTRANS STANDARD SPECIFICATIONS. SPREAD RATE TO BE 17 LBS/SY (±1).

**STANDARD TRENCH BACKFILL AND BEDDING DETAIL
FOR PVC SEWER PIPE**